

SUPPLEMENTAL MAP NO. 2
NE1/4 SE1/4 SECTION 06 T41S R13W WM
CURRY COUNTY

PLAT NUMBER 2008-12

INSTRUMENT NO. 2008-2567

FIFIELD CONDOMINIUM
A FLEXIBLE CONDOMINIUM

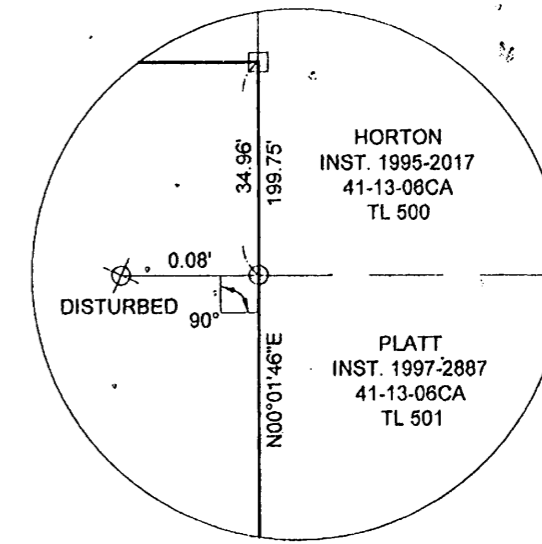
PREPARED FOR:
NOAH BRUCE LLC, AN OREGON
LIMITED LIABILITY COMPANY
AND
JOSHUA BRUCE LLC, AN OREGON
LIMITED LIABILITY COMPANY
P.O. BOX 81
BROOKINGS, OREGON 97415
(541) 861-1544

LOCATED IN
NE1/4 OF SW1/4, SECTION 6,
T41S, R13W, WILLAMETTE MERIDIAN,
CITY OF BROOKINGS, CURRY COUNTY, OREGON

LEGEND

- SET 5/8" X 30" IRON REBAR WITH ORANGE PLASTIC CAP STAMPED "PLS 73590".
- FOUND 5/8" REBAR W/PLASTIC CAP MKD. "STUNTNER ENG" PER CS# 41-1422.
- ⊗ FOUND 5/8" REBAR W/PLASTIC CAP (UNREADABLE) PER CS#41-1300.
- CALCULATED POSITION ONLY.
- △ FOUND AS NOTED
- (1) RECORD PER CS# 41-1422.

LINE TABLE		
LINE	BEARING	LENGTH
L1	S47°28'43"W	15.44'
L2	N44°50'24"W	15.36'



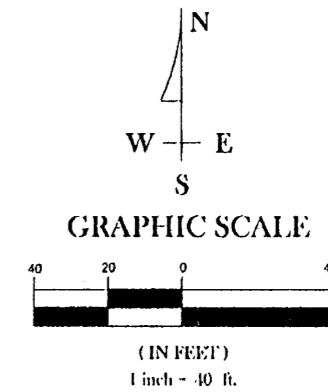
DETAIL
NO SCALE

BASIS OF BEARINGS

FOUND 2 1/2" ALUMINUM CAP
MKD. "T41S R13W CW 1/16 S6
LS 402 1986"

(N89°57'58"E
N89°57'58"E) 565.04'1
565.07'

FOUND 5/8" REBAR W/PLASTIC
CAP MKD. "TEMPLIN LS 2359"
PER CS#41-1239.



NARRATIVE

THE PURPOSE OF THIS SURVEY WAS TO PREPARE A CONDOMINIUM PLAT FOR THAT PARCEL OF LAND CONVEYED TO NOAH BRUCE LLC, AN OREGON LIMITED LIABILITY COMPANY AND JOSHUA BRUCE LLC, AN OREGON LIMITED LIABILITY COMPANY IN INSTRUMENT 2007-1605, OFFICIAL RECORDS, CURRY COUNTY, OREGON. BEARINGS WERE BASED ON FOUND MONUMENTS PER CS# 41-1422 AS SHOWN, TAKEN TO BE N 89°57'58" E. THE MONUMENTS AT THE NORTHWEST CORNER AND THE SOUTHEAST CORNER WERE DESTROYED DURING CONSTRUCTION. THE SOUTHEAST CORNER WAS REESTABLISHED BY PROJECTING A LINE THRU THE MONUMENTS FOUND ALONG THE NORTH RIGHT OF WAY OF FIFIELD STREET AND HOLDING THE RECORD (PER CS# 41-1422) DIMENSION OF 144.00' FROM THE SOUTHWEST CORNER. THE NORTHWEST CORNER WAS REESTABLISHED BY DISTANCE-DISTANCE INTERSECT FROM THE NORTHEAST CORNER AND THE SOUTHWEST CORNER USING THE RECORD DIMENSIONS FROM CS# 41-1422.

FOUND 1/2" REBAR NO CAP
PER CS# 41-1422.

(N89°53'02"E
N89°53'25"E) 384.22'1
384.23'

TEGEL
INST. 2002-6536
41-13-06CA
TL 610

HORTON
INST. 1995-2017
41-13-06CA
TL 500

REGISTERED
PROFESSIONAL
LAND SURVEYOR
Chris E. Fowle
OREGON
JAN 11, 1999
CHRIS E. FOWLE
73590
EXPIRES 12/31/09

I HEREBY CERTIFY THAT THIS IS A TRUE
AND EXACT COPY OF THE ORIGINAL
Chris E. Fowle
CHRIS E. FOWLE, PLS 73590

Roberts & Associates
LAND SURVEYING INC.
611 SPRUCE STREET
P.O. Box 1599
Brookings, OR 97415
Ph: 541-469-0162
Fax: 541-469-5456

Drawn By: CEF	Date: 3/21/08
Checked By: RPR	Job No. 07-099
Drawing Name: CONDOPLATI	Sheet 2 of 5
Project Folder: 07-099	

INITIAL
POINT

A WOODEN FENCE
FALLS 0.5' TO 0.7'
WEST OF EASTERLY
PROPERTY LINE

FIFIELD STREET

THIS MAP WAS PREPARED FOR
ASSESSMENT PURPOSE ONLY

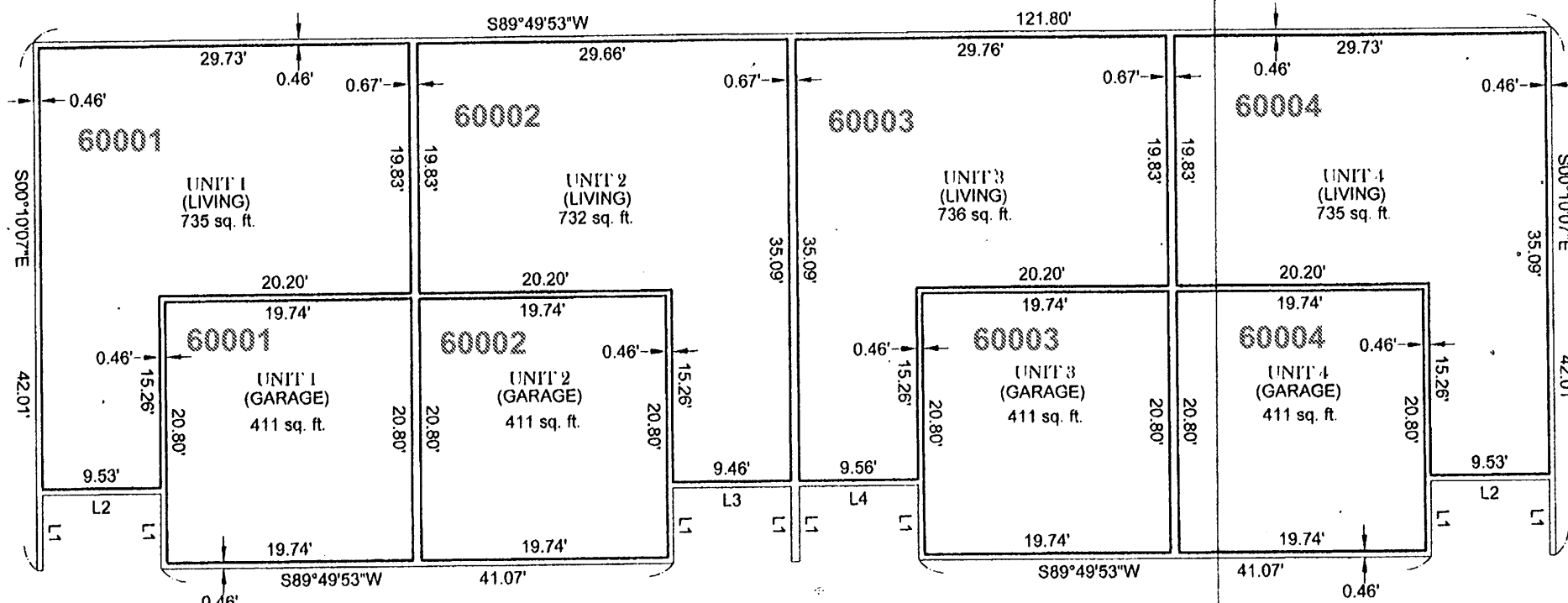
SUPPLEMENTAL MAP NO. 2
NE1/4 SE1/4 SECTION 06 T41S R13W WM
CURRY COUNTY

41S13W06CA
SUPPLEMENTAL MAP NO. 2
SHEET 3

PLAT NUMBER 2008-12
INSTRUMENT NO. 2008-2567
FIFIELD CONDOMINIUM
A FLEXIBLE CONDOMINIUM

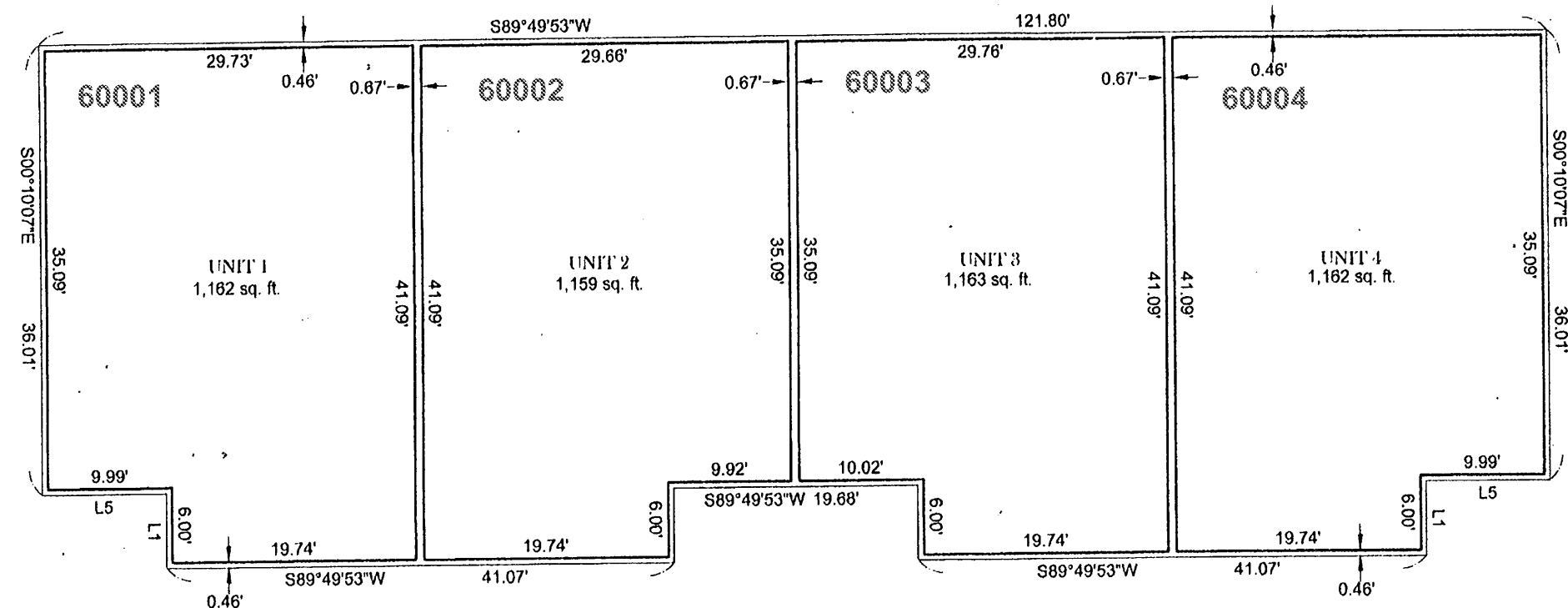
PREPARED FOR:
NOAH BRUCE LLC, AN OREGON
LIMITED LIABILITY COMPANY
AND
JOSHUA BRUCE LLC, AN OREGON
LIMITED LIABILITY COMPANY
P.O. BOX 81
BROOKINGS, OREGON 97415
(541) 661-1544

LOCATED IN
NE1/4 OF SW1/4, SECTION 6,
T41S, R13W, WILLAMETTE MERIDIAN,
CITY OF BROOKINGS, CURRY COUNTY, OREGON



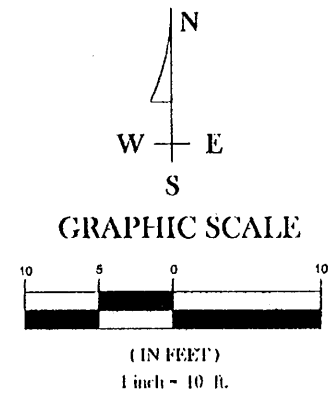
BLDG. "1" FIRST FLOOR

SECTION A-A
SEE SHEET 5 OF 5



BLDG. "1" SECOND FLOOR

LINE TABLE		
LINE	BEARING	LENGTH
L1	S00°10'07"E	6.00'
L2	S89°49'53"W	9.53'
L3	S89°49'53"W	9.46'
L4	S89°49'53"W	9.56'
L5	S89°49'53"W	9.99'



REGISTERED
PROFESSIONAL
LAND SURVEYOR

Chris E. Fowle
OREGON
JAN 11, 2005
CHRIS E. FOWLE
73590
EXPIRES 12/31/09

I HEREBY CERTIFY THAT THIS IS A TRUE
AND EXACT COPY OF THE ORIGINAL
Chris E. Fowle
CHRIS E. FOWLE, PLS 73590

Roberts & Associates
LAND SURVEYING INC.

611 SPRUCE STREET Ph: 541-469-0162
P.O. Box 1599 Fax: 541-469-5456
Brookings, OR 97415

Drawn By:	CEF	Date:	3/21/08
Checked By:	RPR	Job No.:	07-099
Drawing Name:	CONDODetail1	Sheet:	3 of 5
Project Folder:	07-099		

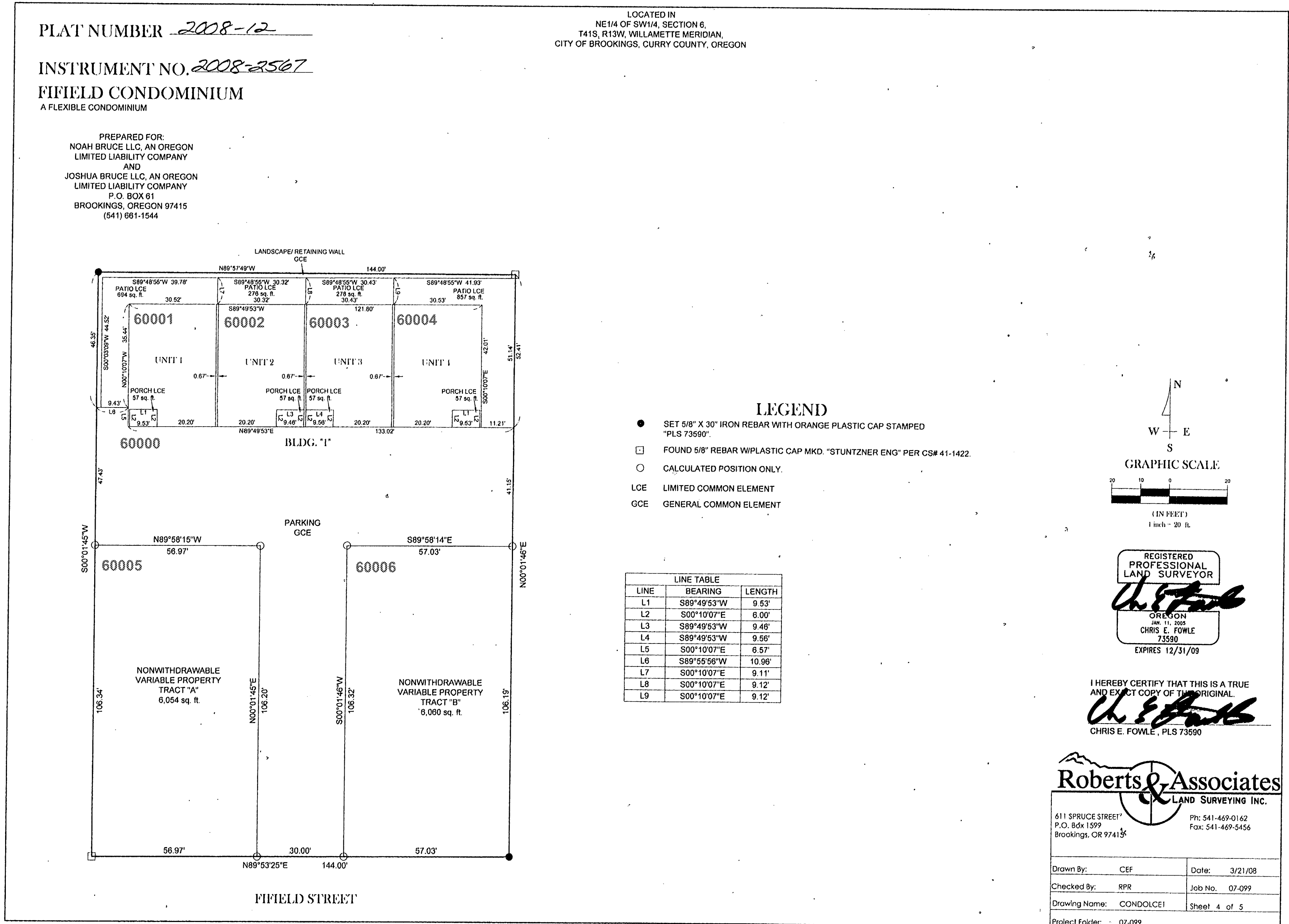
Revised: 9C
8/20/2008

41S13W06CA
SUPPLEMENTAL MAP NO. 2
SHEET 3

THIS MAP WAS PREPARED FOR
ASSESSMENT PURPOSE ONLY

SUPPLEMENTAL MAP NO. 2
NE1/4 SE1/4 SECTION 06 T41S R13W WM
CURRY COUNTY

41S13W06CA
SUPPLEMENTAL MAP NO. 2
SHEET 4



Revised: 9C
8/20/2008

41S13W06CA
SUPPLEMENTAL MAP NO. 2
SHEET 4

THIS MAP WAS PREPARED FOR
ASSESSMENT PURPOSE ONLY

SUPPLEMENTAL MAP NO. 2
NE1/4 SE1/4 SECTION 06 T41S R13W WM
CURRY COUNTY

41S13W06CA
SUPPLEMENTAL MAP NO. 2
SHEET 5

PLAT NUMBER 2008-12

INSTRUMENT NO. 2008-2567

FIFIELD CONDOMINIUM
A FLEXIBLE CONDOMINIUM

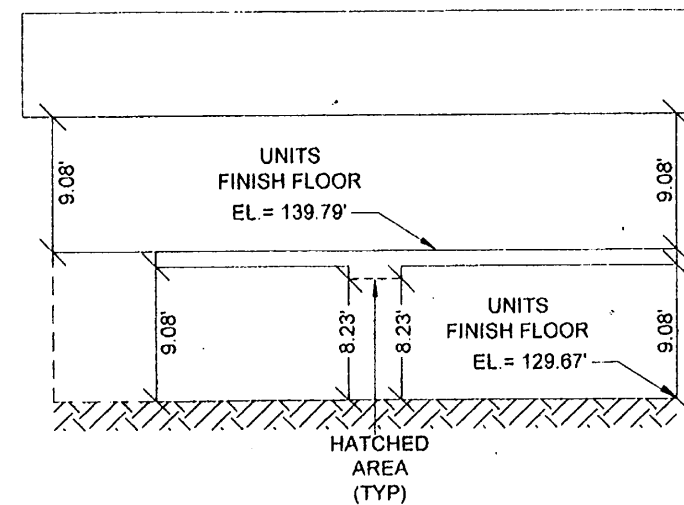
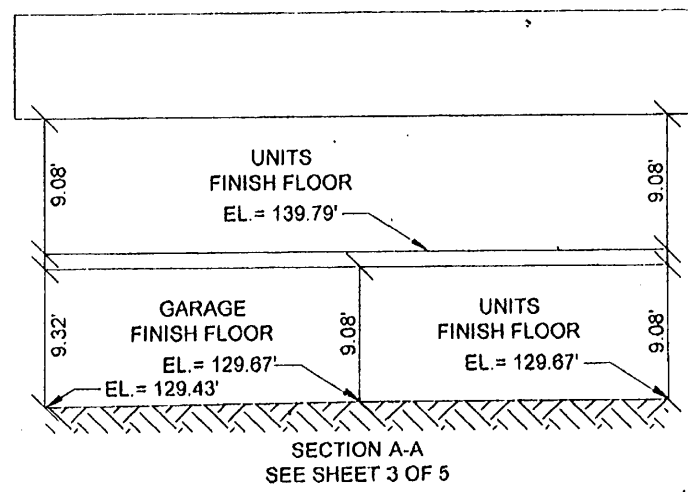
PREPARED FOR:
NOAH BRUCE LLC, AN OREGON
LIMITED LIABILITY COMPANY
AND
JOSHUA BRUCE LLC, AN OREGON
LIMITED LIABILITY COMPANY
P.O. BOX 81
BROOKINGS, OREGON 97415
(541) 881-1544

LOCATED IN
NE1/4 OF SW1/4, SECTION 6,
T41S, R13W, WILLAMETTE MERIDIAN,
CITY OF BROOKINGS, CURRY COUNTY, OREGON

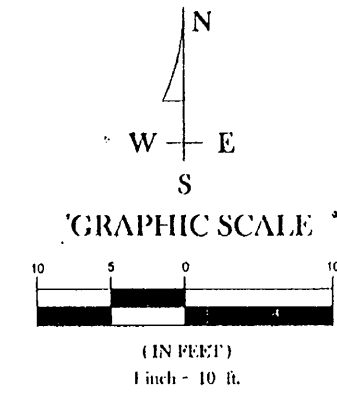
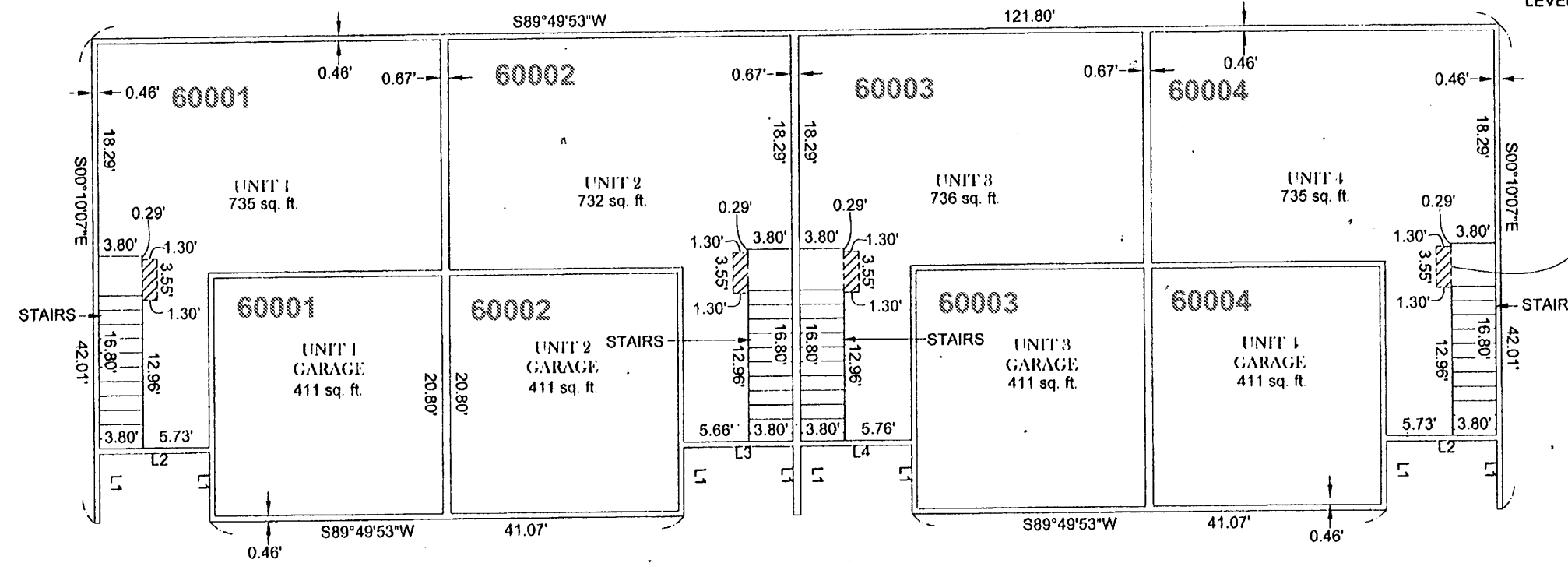
BENCHMARK

NATIONAL GEODETIC SURVEY
DESIGNATION - D 759
PID - 0A0870
STATE/COUNTY - OR/CURRY
USGS QUAD - BROOKINGS (1986)
ELEVATION - 127.03 FEET
DATUM - NAVD 88

LINE	BEARING	LENGTH
L1	S00°10'07"E	6.00'
L2	S89°49'53"W	9.53'
L3	S89°49'53"W	9.46'
L4	S89°49'53"W	9.56'



THE CEILING HEIGHT OF THE
HATCHED AREA FROM THE
FINISH FLOOR OF THE FIRST
LEVEL IS 8.23'.



REGISTERED
PROFESSIONAL
LAND SURVEYOR
Chris E. Fowle
OREGON
JAN 11, 2005
CHRIS E. FOWLE
73590
EXPIRES 12/31/09

I HEREBY CERTIFY THAT THIS IS A TRUE
AND EXACT COPY OF THE ORIGINAL
Chris E. Fowle
CHRIS E. FOWLE, PLS 73590

Roberts & Associates
LAND SURVEYING INC.

611 SPRUCE STREET
P.O. Box 1599
Brookings, OR 97415
Ph: 541-469-0162
Fax: 541-469-5456

Drawn By: CEF	Date: 3/21/08
Checked By: RPR	Job No. 07-099
Drawing Name: CONDOVERTICAL	Sheet 5 of 5
Project Folder: 07-099	

Revised: 9C
8/20/2008

41S13W06CA
SUPPLEMENTAL MAP NO. 2
SHEET 5