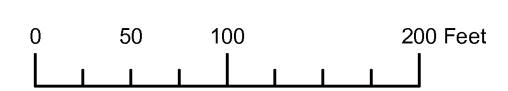
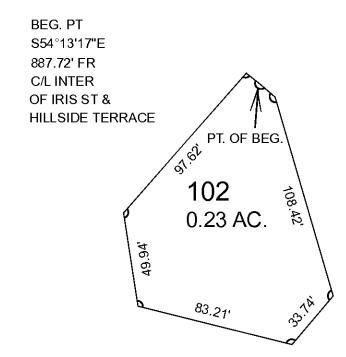


THIS MAP WAS PREPARED FOR  
ASSESSMENT PURPOSE ONLY



DETAIL MAP NO. 1  
SECTION 25 T.36S. R.15W. W.M.  
CURRY COUNTY  
1" = 100'

36S 15W 25  
DETAIL MAP NO. 1



Revised RAA  
9/7/2006

36S 15W 25  
DETAIL MAP NO. 1